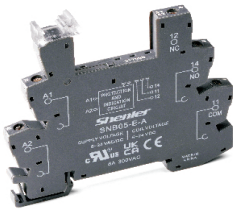




Relay

+



Socket

=



Relay module

RNC □ □ □ □

Other options

Blank: Conventional
A: Gold plated contact

Coil voltage code

Code	005	006	012	024
Voltage (V DC)	5	6	12	24
Code	048	060		
Voltage (V DC)	48	60		

Terminal arrangement

O: Vertical pin
P: Horizontal pin

Contact form

1A: (NO)
1C: (CO)

Series name

Characteristics

Configuration	1A,1C	
Load Resistance	6A/250VAC 30VDC	
Max. switching capacity (resistive)	1500VA,180W	
Min. switching capacity	170mW(17V/10mA)	
Initial contact resistance	≤100mΩ (gold plated contact ≤ 30mΩ)	
Material	Ag alloy	
Electrical durability (normal temperature)(frequency 1s on, 5s off)	NO: 6x10 ⁴ Cycles (600 Ops/h); NC: 3x10 ⁴ Cycles (600 Ops/h)	
Mechanical durability	≥2x10 ⁷ Cycles (18000 Ops/h)	
Pick-up voltage (23°C) (Rated voltage)	DC:≤75%	
Drop-out voltage (23°C) (Rated voltage)	DC:≥5%	
Maximum voltage (23°C) (Rated voltage)	110%	
Insulation resistance	≥500MΩ (500VDC)	
Coil operating power	3~24 VDC(W)	approx. 0.17W
	48~60 VDC(W)	approx. 0.21W
Operate time (at nominal voltage)	≤8ms	
Release time (at nominal voltage)	≤4ms	
Initial breakdown voltage	Between open contacts	1000VAC/1min (leakage current 1mA)
	Between contacts and coil	4000VAC/1min (leakage current 1mA)
Insulation characteristics	Rated voltage	250VAC
	Pollution level	3
IEC 60664 UL840	Overvoltage level	III
Impulse withstand voltage (waveform: 1.2/50μs)	4000V	
Protection level	IP20	
Storage temperature/ humidity	-55~+85°C/ ≤85%RH (18 months)	
Working temperature/ humidity	-40~+85°C/ 5%~85%RH (No condensation)	
Air pressure	86~106KPa	
Shock resistance	10G (half-sine shock pulse: 11ms)	
Vibration resistance	10~55Hz double-amplitude:1.0mm	
Mounting	PCB	
Unit weight	approx. 6g	

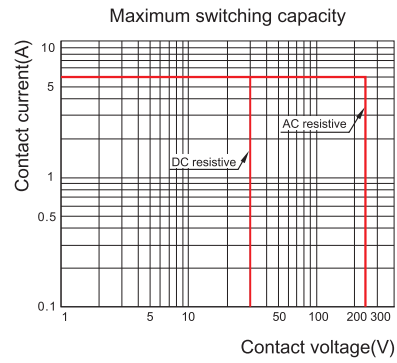
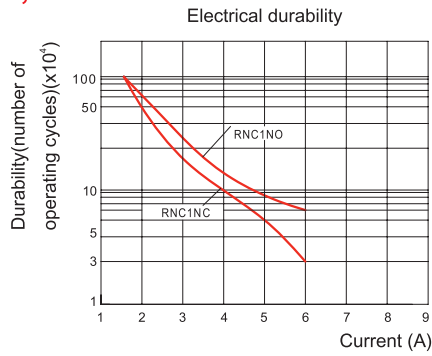
Coil Specifications (23°C)

Nominal voltage V.DC (0.17W)	5	6	12	24
Coil resistance Ω	147	212	847	3250
Nominal voltage V.DC (0.21W)	48	60		
Coil resistance Ω	10971	17143		

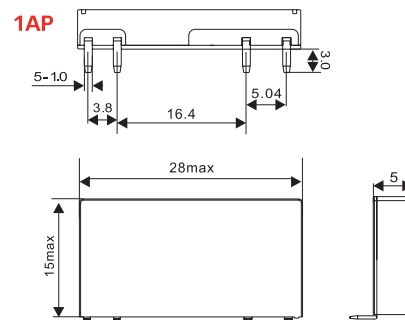
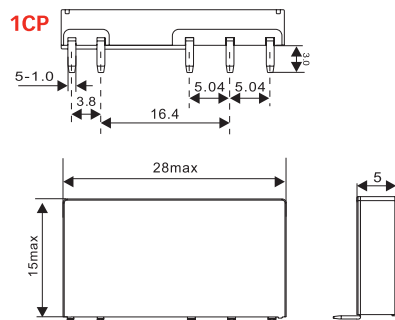
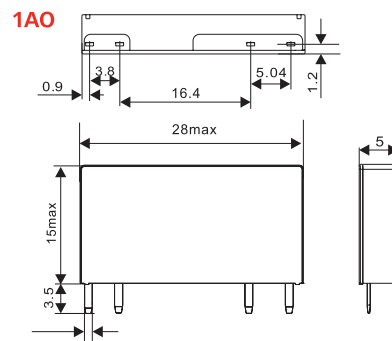
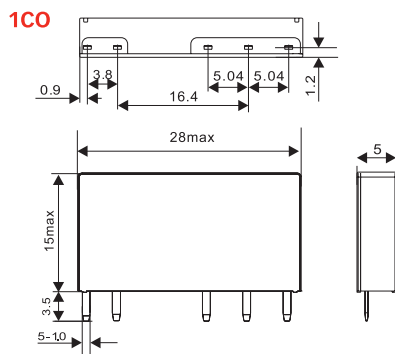
Coil resistance: under coil voltage 110V are measured with tolerance of $\pm 10\%$.

Contact Specification

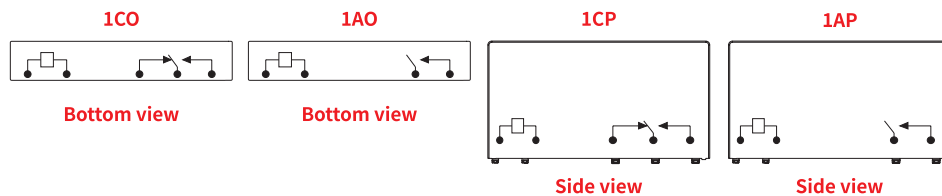
RNC1A, 1C



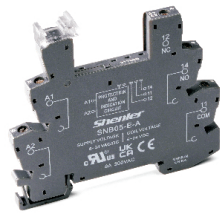
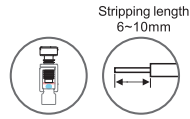
Dimensions (mm)



Wiring Diagrams



Characteristics



SNB05-E

Model No.	Input	Relay
SNB05-E-AR	6~24VDC	6~24VDC
SNB05-E-A	6~24V	6~24VDC
SNB05-E-B	48V	24VDC
SNB05-E-C	110V	24VDC
SNB05-E-D	230V	48VDC
SNB05-E-DA	230V	60VDC

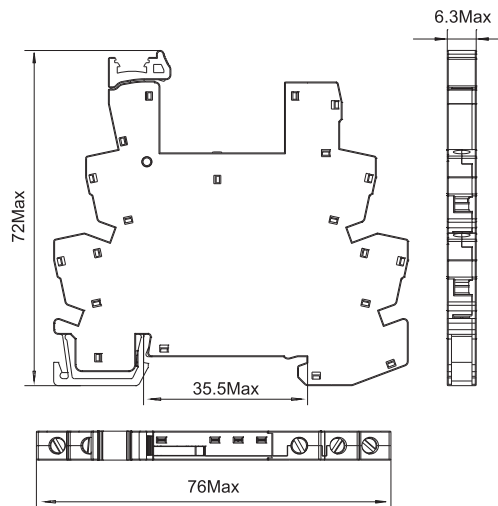
Characteristics

Nominal load	Current	A	8
	Voltage	V	300
Dielectric strength	Between coil and contact	V/min	4000
	Between contacts	V/min	2000
Max. tightening torque		Nm	0.5
Wire size		AWG/mm ²	20-16/0.5-1.5
Ambient temperature		°C	-40~+85
Unit weight		g	19,5

Accessories

Bus jumper	ID tag
 SN20A	 SN64P

Dimensions (mm)



Connection Diagrams

